

# How to Connect your L298N Motor Driver, HC-05 Bluetooth & IR, to your Robot Buggy

<https://circuitbest.com/how-to-make-bluetooth-controlled-car-using-arduino/>

Pat McMahon—V4— 21/5/2024

**NOTE - I modified the circuitbest code with LED's & Horn, to match the Bluetooth app.**

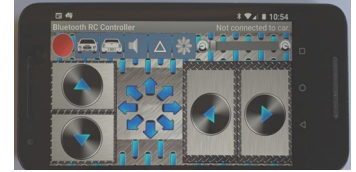
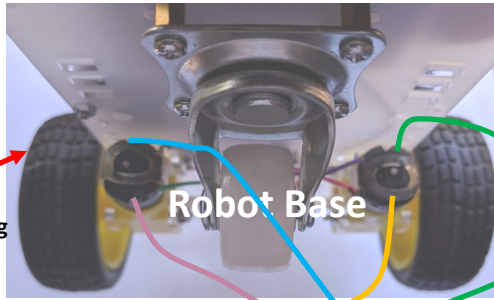
Using 2 X 6V (4x1.5V) Battery Packs  
Go to Google Play and install the Arduino Bluetooth RC Controller



IR Controllers



Note— View underneath, looking from swivel back wheel end, towards the front, Motor tabs

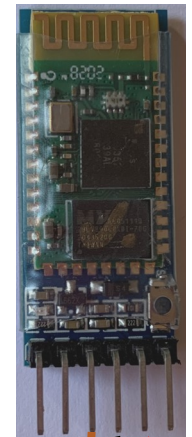


- 1— Open App.
- 2— Open Settings.
- 3— Connect to Car.
- 4— Select HC-05

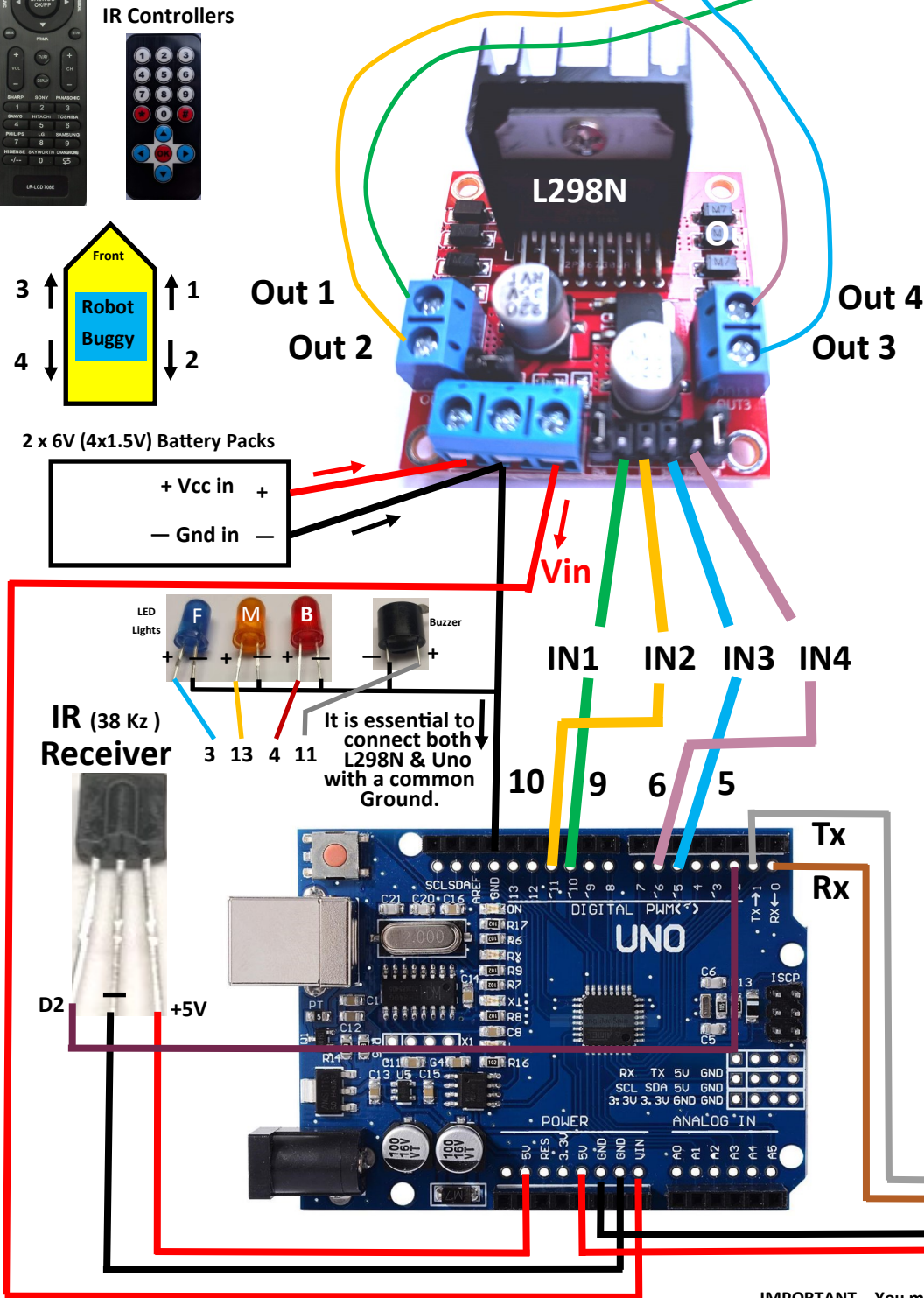
The **RED** dot in the top left hand corner of your device will turn **GREEN** when connected and paired to Bluetooth.

**HC-05 Bluetooth Module**

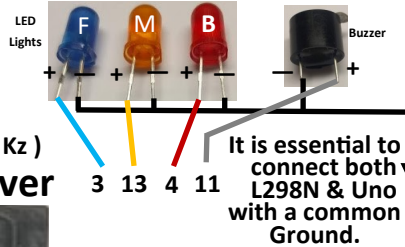
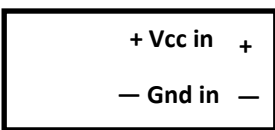
( Outer Pins not used )



Rx Tx Gnd 5V



2 x 6V (4x1.5V) Battery Packs



IR (38 Kz) Receiver



D2 +5V

→ Vin power the UNO, IR & HC-05

Note- Diagrams not to Scale.

**IMPORTANT** - You must disconnect the HC-05 before uploading a sketch, then reconnect to run, as they both share the Rx and Tx pins