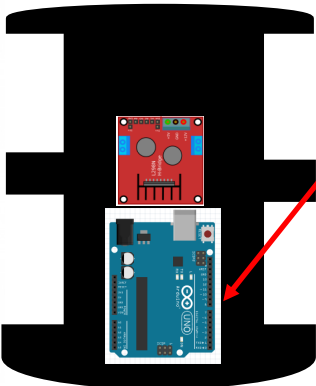
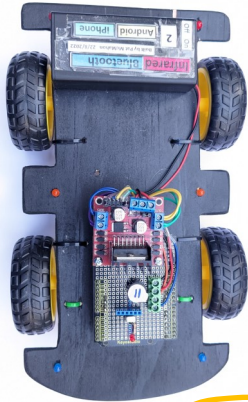


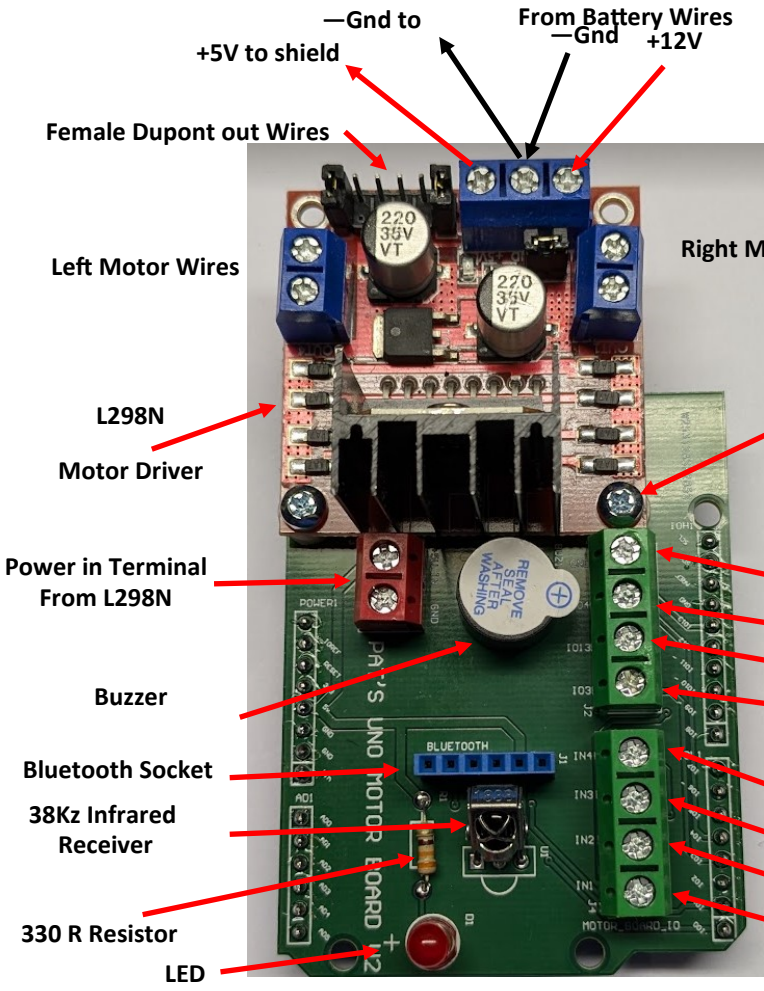
# Pat's easy connect Uno, Infrared/Bluetooth/LED Lights/Buzzer, Drop In Motor Driver Shield V3

**Design Brief**—The aim was to design an independent Drop In Uno Shield that had IR/BT/Lights/Buzzer for the Robot Buggy, that only required screw in Terminal Wire connections.

Pat McMahan V3 12/7/2024



Note- If attaching the L298N to the shield, for ease of connection into the L298N, the Uno needs to be rotated 180 degrees and redrilled on Pat's original 3 ply Robot Buggy



Note- Fasten the L298N to the shield, Heat Sink End, using 2X M3 (3mm) Screws and nuts, plus 3mm insulated spacers in between.

- Optional Buggy LED Lights
- Ground (Black)
  - Back (Red)
  - Middle (Orange)
  - Front (Blue)

- From L298N, IN Female Dupont Wires
- IN4
  - IN3
  - IN2
  - IN1

Top Component Side

