

Interactive Keyboard Sound Display using Makey Makey— Using “Classic Piano” App— 6 Keys

Pat McMahan V1 15/2/2024

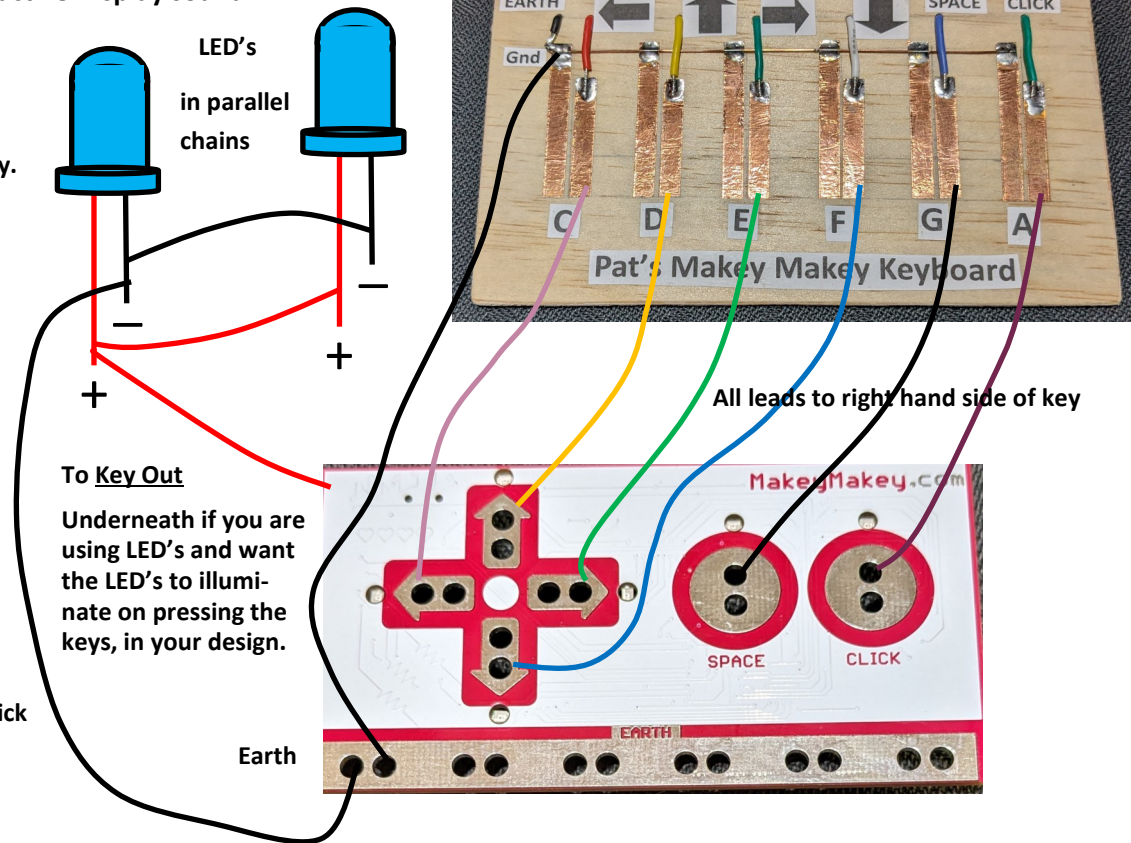
Note—The left hand side of the copper keys are all connected on top to Earth or ground, to reduce the number of Leads. The right hand side of the copper keys are all connected to the Makey Makey.

Design Brief — Using LED's, Conductive Copper Tape and a Makey Makey, construct an Interactive Keyboard Sound Display.

How It Works — Touch the various Keys, to illuminate and make your Interactive Display sound.

Construction Steps

- 1— Design your Art Work and Key setup for your own Interactive Keyboard Display.
- 2—Using conductive Copper Tape to make the Keys.
- 3— Insert the LED's in parallel chains (ie + + + +, - - - -) if using in your Design.
(Note –You must use the same colour LED's to light them up equally)
- 4—Using Alligator Clip Wires attach the circuit, as in the attached diagram.
- 5—Attach the USB cable from your Computer to the Makey Makey.
- 6 — Search on the web “Makey Makey”.
- 7— Open Makey Makey and select “Apps”.
- 8—Select “Plug and Play Apps”.
- 9—Select “Classic Piano” and press “Play”.
- 10—Touch the 6 Keys to play your Interactive Keyboard Sound Display or mouse click the buttons on the app.



Note—View from back of the Makey Makey