

Interactive Art / Sound Display using Makey Makey- Using “Audio Sampler” App— 6 Keys

Pat McMahon V1 15/2/2024

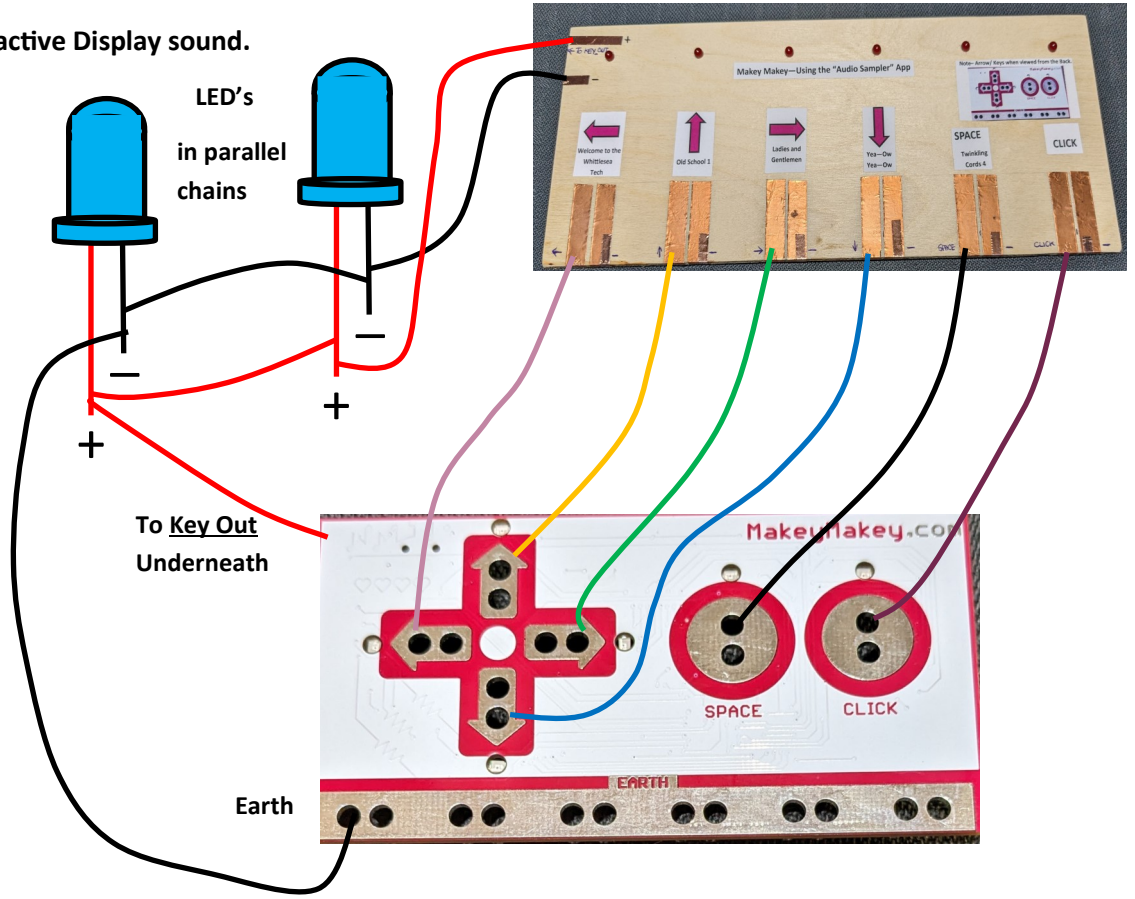
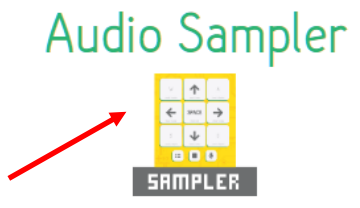
Note—The right hand side of Keys are all connected underneath to Earth to reduce the number of Leads.

Design Brief — Using LED’s, Conductive Copper Tape and a Makey Makey, construct an Interactive Art / Sound Display.

How It Works — Touch the various Keys, to illuminate and make your Interactive Display sound.

Construction Steps

- 1— Design your Art Work and Key setup for your own Interactive Display.
- 2—Using conductive Copper Tape to make the Keys.
- 3— Insert the LED’s in parallel chains (ie + + + +, - - - -) into your Design.
(Note –You must use the same colour LED’s to light them up equally)
- 4—Using Alligator Clip Wires attach the circuit, as in the attached diagram.
- 5—Attach the USB cable from your Computer to the Makey Makey.
- 6 — Search on the web “Makey Makey”.
- 7— Open Makey Makey and select “Apps”.
- 8—Select “Plug and Play Apps”.
- 9—Select “Audio Sampler” and press “Play”.
- 10—Select the bottom left hand pull down menu. (.—)
- 11—Pick and Drop your choice of Sounds, on to the 3x3 option arrows/letters.
- 12— Click the Save symbol Button below the 3x3 Keypad, to save a copy into your Downloads Folder, if using your own Computer, to retain for next time.
- 13—Touch the 6 Keys to play your Interactive Art / Sound Display or mouse click the 9 buttons on the app.



Note—View from back of the Makey Makey