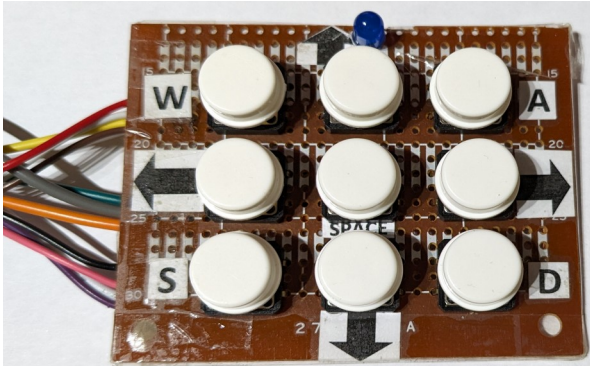


Interactive Art / Sound Display using Makey Makey- Using "Audio Sampler" App— 3x3 Button Keypad

Pat McMahon V1 4/3/2024

Design Brief — Using 9 Push Button Switches, an LED and a Makey Makey, construct an Interactive Art / Sound Display 3x3 Keypad.

How It Works — Touch the various Buttons on the Keypad, to illuminate and make your Interactive Display sound.

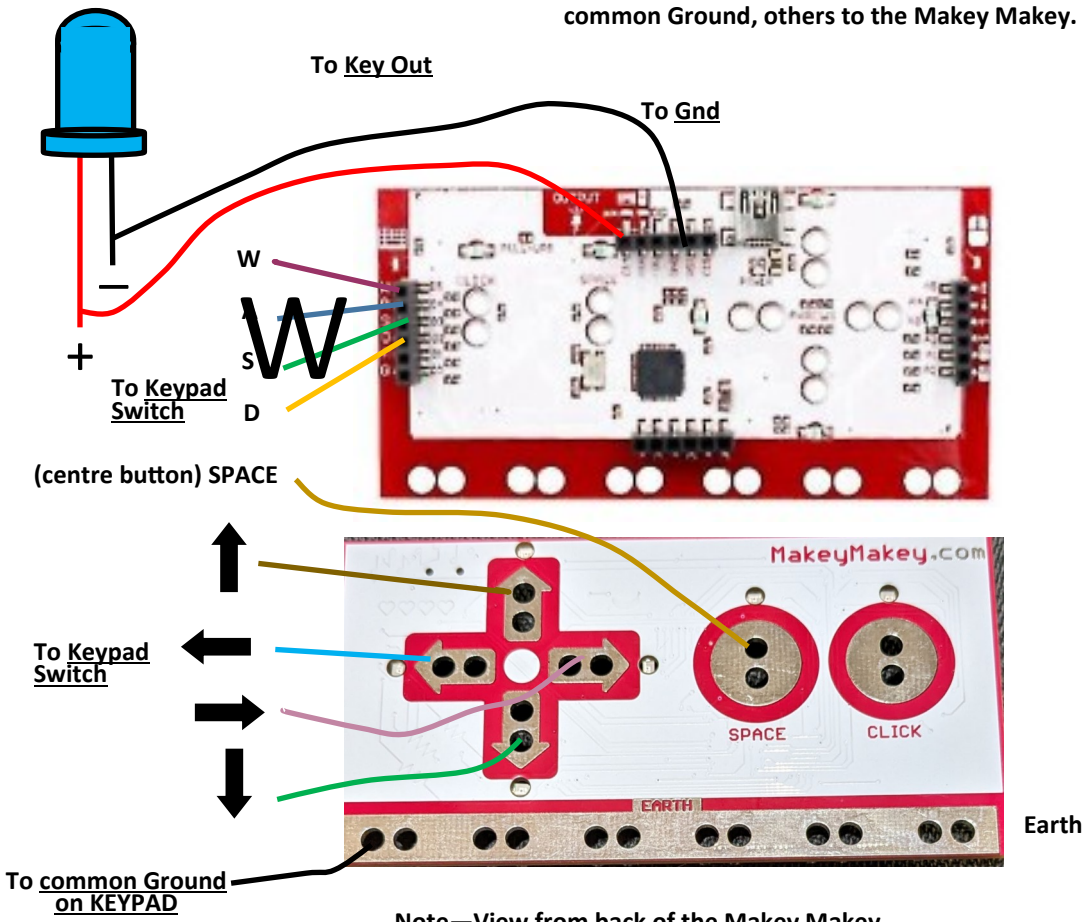
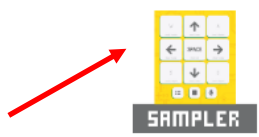


Note—All Button Switches are connected to a common Ground, others to the Makey Makey.

Construction Steps

- 1— Design your Art Work and Keypad setup for your own Interactive Display.
- 2— Solder the Push Button Switches together with a common Ground
- 3— Insert the LED's in parallel chains (ie ++++, ----) into your Design.
(Note –You must use the same colour LED's to light them up equally)
- 4— Using Alligator Clip Wires attach the circuit, as in the attached diagram.
- 5— Attach the USB cable from your Computer to the Makey Makey.
- 6 — Search on the web "Makey Makey".
- 7— Open Makey Makey and select "Apps".
- 8— Select "Plug and Play Apps".
- 9— Select "Audio Sampler" and press "Play".
- 10— Select the bottom left hand pull down menu. (.—)
- 11— Pick and Drop your choice of Sounds, on to the 3x3 option arrows/letters.
- 12— Click the Save symbol Button below the 3x3 Keypad, to save a copy into your Downloads Folder, if using your own Computer, to retain for next time.
- 13— Touch the 9 Buttons to play your Interactive Art / Sound Display or mouse click the 9 buttons on the app.

Audio Sampler



Note—View from back of the Makey Makey