



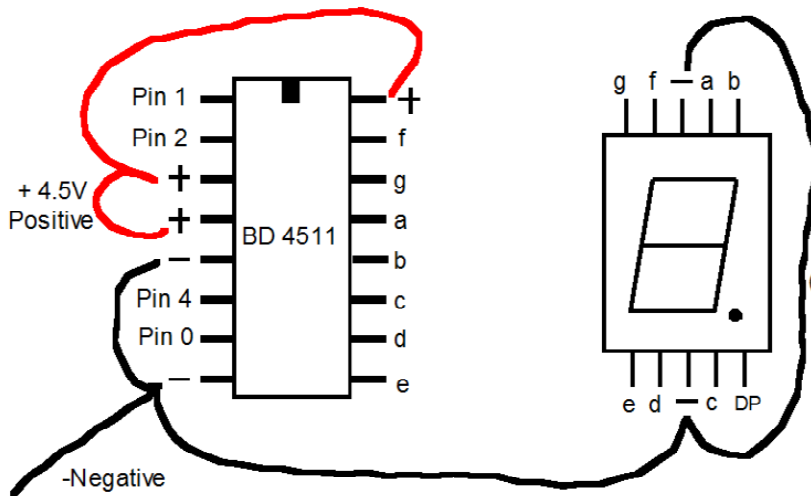
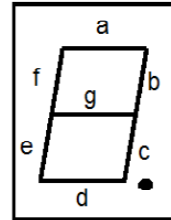
Diamond Valley College

# Technology - Picaxe 14M2

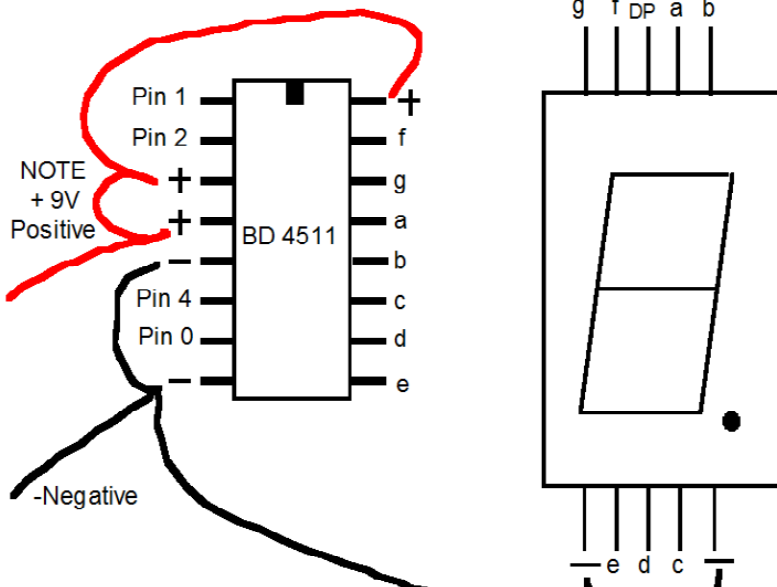
Name- \_\_\_\_\_ HG- \_\_\_\_\_

## Connections for a Picaxe 14M2 to run a 7 Segment Display

when used in conjunction with a BD4511 , 7 segment display converter chip.



7 Segment  
13mm High No's  
Common Cathode  
(when viewed from front)



7 Segment  
Jumbo 57mm High No's  
Common Cathode  
(when viewed from front)